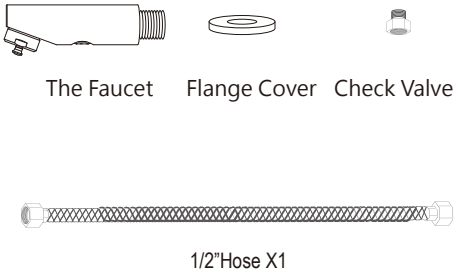


# HP-31613

One Touch Wall-mount Faucet

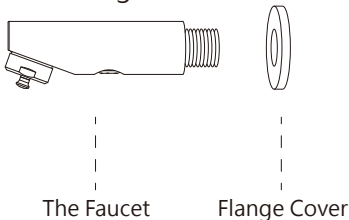


## 1. Check the faucet accessories

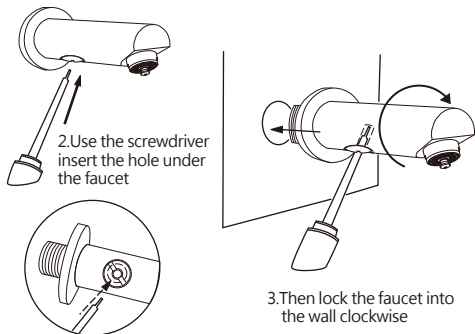


## 2. Fix the faucet

a. Install the flange cover under the faucet



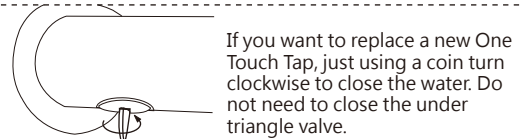
b. Put the faucet on the wall (or basin)



4. Use the coin insert the under bottom and turn to adjust the water flow

5. Turn the hole counterclockwise to open the water (Do not turn over 3 circles to prevent the bottom fall off)

c. One side of the hose connect with the faucet, the other side connect with the angle valve on the wall and fix it.



## 3. Set up completely

Press the One Touch Tap then use the flowing water

